

BRAVAT C2504W

Top Inlet Urinal

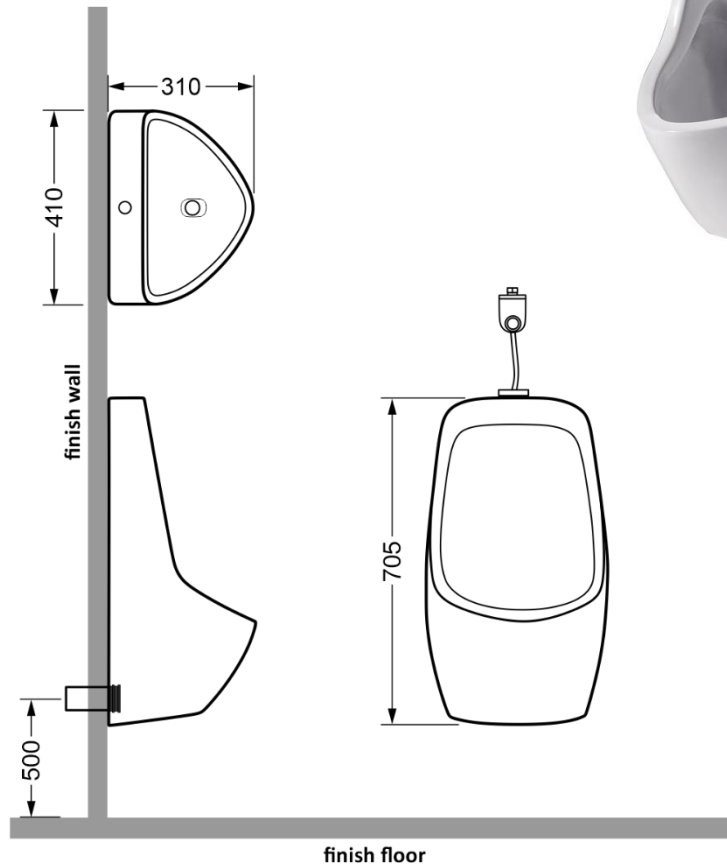
Specifications:

- Inclusive of:
Fixing kit
Outlet connector
- **M3040-1** - manual urinal push button flush valve

Dimensions:

Unit: mm

- 310 x 410 x 705mm



REMINDER:

- For accurate installation, refer to manual installation and actual item.
- Never clean with harsh or aggressive cleaners, that contain chlorine or hydrochloric acid.
- The information provided above is for reference only and should be verified with the actual sample supplied. Please be aware that measurements and specifications may vary without prior notification.

For Brass Fixture; Shower, Faucet and Spout.

- Pipe flushing must be done before brass fixtures are installed. Failure to do so, voids the warranty.