

BRAVAT F1191238CP

Single Lever Faucet

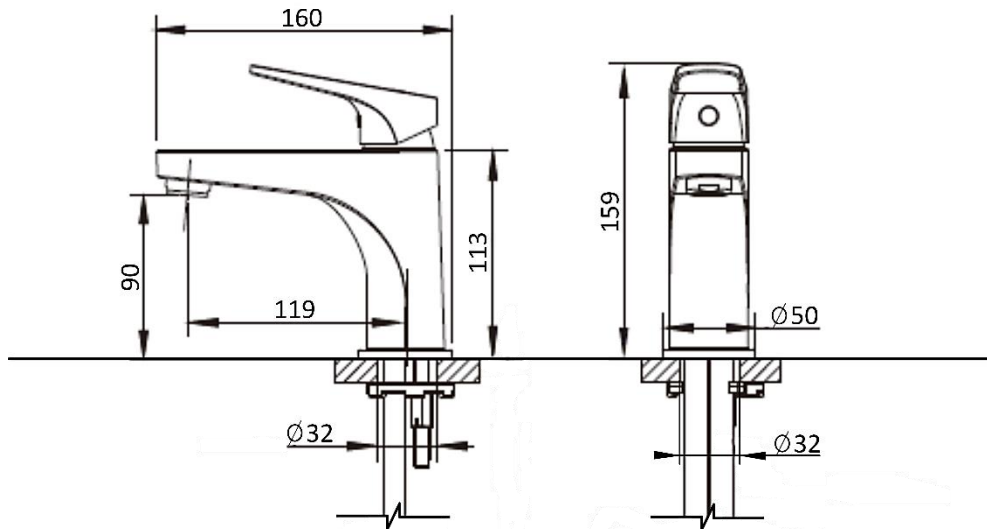
Specifications:

- Material: Brass
- Finish: Chrome plated
- Cartridge: YIZHAN
- Aerator: NEOPERL
- Inclusive of:
2 pcs 7013 angle valve
G1/2 flexible hose



Dimensions:

Unit: mm



REMINDER:

- For accurate installation, refer to manual installation and actual item.
- Never clean with harsh or aggressive cleaners, that contain chlorine or hydrochloric acid.
- The information provided above is for reference only and should be verified with the actual sample supplied. Please be aware that measurements and specifications may vary without prior notification.

For Brass Fixture; Shower, Faucet and Spout.

- Pipe flushing must be done before brass fixtures are installed. Failure to do so, voids the warranty.